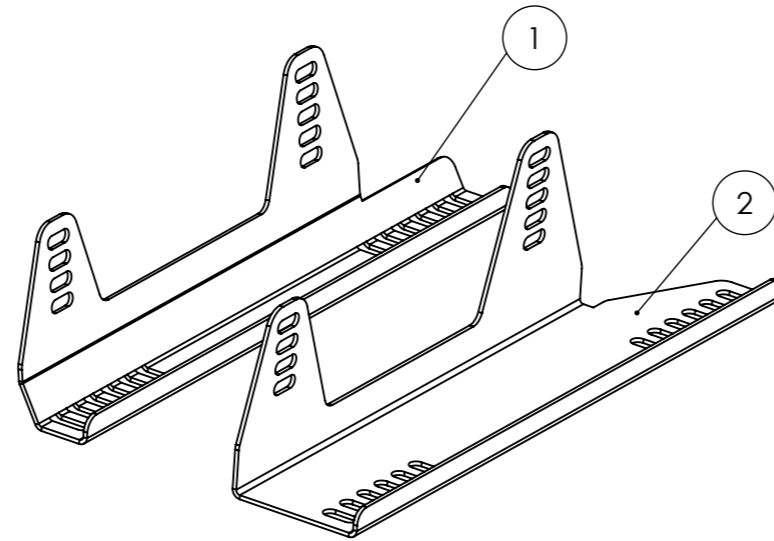



ALIHANKINTA	
OSTO	
LASER	
LEVYTYÖ	
PUTKILASER	
SAHA	
SORVAUS	
KONEISTUS	
PORAUS	
SEEVAUS	
VIISTEYTY	
KIERTEYTY	
SÄRMÄYS	
MANKELOINTI	
PUTKENTAIVUTUS	
MYLLYTYS	
HIEKKAPUHALLUS	
HIONTA	
VIIMEISTELY	
HITSAUS	
KOKOONPANO	
PEITTAUS	
MAALAU	
PEMMAUS	
NIITTIMUTTERI	
KERÄILY	X



ITEM NO.	PART NUMBER	DESCRIPTION	Revision	QTY.
1	021464	bmw e46 penkin jalka oikealle sisempi		1
2	021467	bmw e46 penkin jalka oikealle ulompi		1

REVISIONS					Designer	Customer	Material	 <i>When There's No Road -</i> <b>TRAILANDER</b>																				
ZONE	REV.	DESCRIPTION	DATE	APPROVED	TTU	Trailander	Thickness																					
					Design date 17.04.2024	Project	mm	Scale 1:5																				
					Approved by	Description Kuppipenkinjalka pari BMW E46 apukuljettaja	Mass 3.07 kg	Sheet size A3																				
					Approved date	Description 2	Finish	Page 1 / 1																				
							GENERAL TOLERANCES <table border="1"> <thead> <tr> <th>Lenght</th> <th>Machining</th> <th>Bending / Shearing</th> <th>Welding</th> </tr> </thead> <tbody> <tr> <td>0 - 10</td> <td>±0,1</td> <td></td> <td>±1</td> </tr> <tr> <td>10 - 100</td> <td>±0,2</td> <td>±0,8</td> <td>±2</td> </tr> <tr> <td>100 - 300</td> <td>±0,3</td> <td>±1</td> <td>±2</td> </tr> <tr> <td>300 - 1000</td> <td>±0,4</td> <td>±1,5</td> <td>±2</td> </tr> </tbody> </table>		Lenght	Machining	Bending / Shearing	Welding	0 - 10	±0,1		±1	10 - 100	±0,2	±0,8	±2	100 - 300	±0,3	±1	±2	300 - 1000	±0,4	±1,5	±2
Lenght	Machining	Bending / Shearing	Welding																									
0 - 10	±0,1		±1																									
10 - 100	±0,2	±0,8	±2																									
100 - 300	±0,3	±1	±2																									
300 - 1000	±0,4	±1,5	±2																									
							Document number 021504 Rev 																					