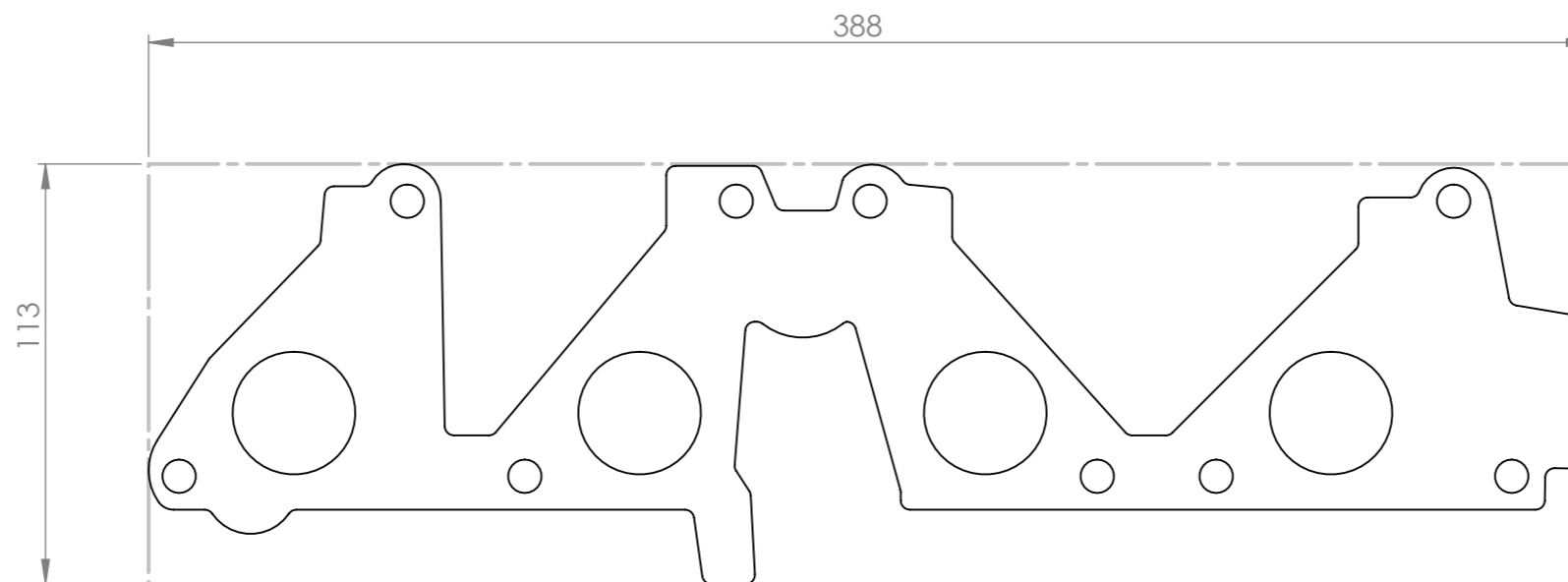



ALIHANKINTA	
OSTO	
LASER	
LEVYTYÖ	
PUTKILASER	
SAHA	
SORVAUS	
KONEISTUS	
PORAUS	
SEEVAUS	
VIISTEYTYS	
KIERTEYTYS	
SÄRMÄYS	
MANKELOINTI	
PUTKENTAIVUTUS	
MYLLYTYS	
HIEKKAPUHALLUS	
HIONTA	
VIIMEISTELY	
HITSAUS	
KOKOONPANO	
PEITTAUS	
MAALAUUS	
PEMMAUS	
NIITTIMUTTERI	



REVISIONS					Designer	Customer	Material		<i>When There's No Road -</i> TRAILANDER																								
ZONE	REV.	DESCRIPTION	DATE	APPROVED	TTU	Trailander	Aluminum																										
					Design date 29.10.2020	Project	Thickness 10 mm	Scale 1:2	<table border="1"> <thead> <tr> <th colspan="4">GENERAL TOLERANCES</th> </tr> <tr> <th>Lenght</th> <th>Machining</th> <th>Bending / Shearing</th> <th>Welding</th> </tr> </thead> <tbody> <tr> <td>0 - 10</td> <td>±0,1</td> <td></td> <td>±1</td> </tr> <tr> <td>10 - 100</td> <td>±0,2</td> <td>±0,8</td> <td>±2</td> </tr> <tr> <td>100 - 300</td> <td>±0,3</td> <td>±1</td> <td>±2</td> </tr> <tr> <td>300 - 1000</td> <td>±0,4</td> <td>±1,5</td> <td>±2</td> </tr> </tbody> </table>	GENERAL TOLERANCES				Lenght	Machining	Bending / Shearing	Welding	0 - 10	±0,1		±1	10 - 100	±0,2	±0,8	±2	100 - 300	±0,3	±1	±2	300 - 1000	±0,4	±1,5	±2
GENERAL TOLERANCES																																	
Lenght	Machining	Bending / Shearing	Welding																														
0 - 10	±0,1		±1																														
10 - 100	±0,2	±0,8	±2																														
100 - 300	±0,3	±1	±2																														
300 - 1000	±0,4	±1,5	±2																														
					Approved by	Description Opel ohc 2.0 8v imulaippa	Mass 0.49 kg	Sheet size A3																									
					Approved date	Description 2	Finish	Page 1 / 2																									
								Document number 011898	Rev																								